

## OUR SMALLEST MASTER-SERIES HOT RUNNER NOZZLE

Our new Master-Series nano nozzle offers a more compact solution to improve access on hard-to-reach gating surfaces of small parts. Ideal for many medical, personal care, packaging and small closure applications.

### KEY FEATURES

#### COMPACT DESIGN

- Suitable for producing lightweight parts.
- Compatible with tight pitch & inside gating applications.
- 3 mm runner diameter (hot tip).
- 11 mm well bore cut-out.

#### VALVE GATE COMPATIBLE

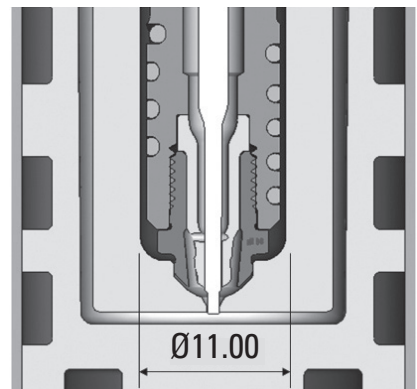
- Enhanced part quality.
- Optimized processing.

#### BRAZED HEATER TECHNOLOGY

- Excellent thermal profile.
- Tight process control.
- Unbeatable reliability minimizes downtime.
- Eliminates spare heater costs.

#### INDUSTRY-LEADING WARRANTY

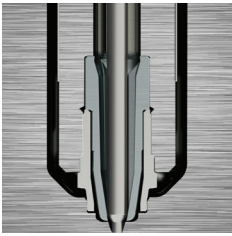
- Available 10-year warranty.



## AVAILABLE GATING STYLES

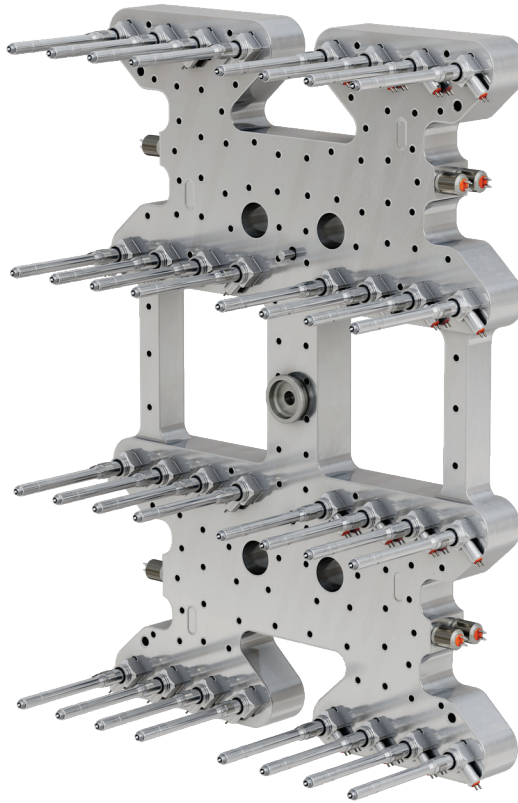
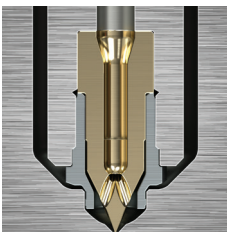
### VALVE GATING OPTIONS

- Bi-M Cylindrical Valve



### THERMAL GATING OPTIONS

- E-Type Torpedo



## SPECIFICATIONS

NOZZLE RANGE		NANO	FEMTO-LITE	FEMTO	PICO	CENTI	DECI	HECTO
Shot Size* (g)		<1 – 2	<1 – 5	5 – 10	10 – 20	15 – 50	50 – 500	500 – 3,500
Runner Ø	Non-Valved (mm)	5-4-3	3.5	5	5	6	8	12
	Valved (mm)	6-5-4	4	6	7	8	11	16
Min Pitch†	Non-Valved (mm)	22	19	22	28	31	39	51
	Valved (mm)	26	26	26	28	31	45	51
Bore Cut-Out ø (mm)		11	12	16	22	26	32	42
Total Length Range (mm)		97/127/178	40-223	40-205	31-221	25-224	35-253	50-488



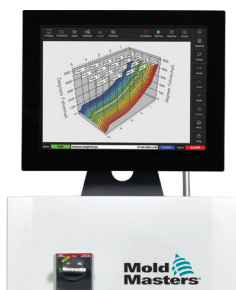
\*Application dependant. †Standard designs. Tighter pitches may be possible. Please consult MM regarding your application.

\*\*Please speak to a Mold-Masters representative for complete warranty details. Some conditions and/or limitations apply. Subject to change without notice.

### Notes

- Supplied with front mount TC only.
- Maximum Processing temperature of 250°C
- Suitable for polyolefins materials (No fillers)

Nozzle Length	97	127	187
Nozzle Part #	NZMSNBXA097	NZMSNBXA127	NZMSNBXA187



## TempMaster™ series

To ensure your mold operates at peak performance and delivers ultimate process control, Mold-Masters recommends using TempMaster controllers with all Master-Series Hot Runner systems. Unlock your operations full potential with TempMaster.