

THE CLEAR CHOICE FOR LENSES

The ideal hot runner system for consistent, high-quality production of automotive lens components that demand exceptional clarity. Engineered to perform with today's challenging resins it is compatible with corrosive resins such as PC, PC-ABS & PMMA. Dura+ remains the clearest choice for automotive lens molding applications.

KEY FEATURES

DURA+ NOZZLES

- Precise thermal profile.
- Maintains molded part quality and strength.
- Prevents resin burns.
- Excellent process repeatability.

STAINLESS STEEL CONSTRUCTION

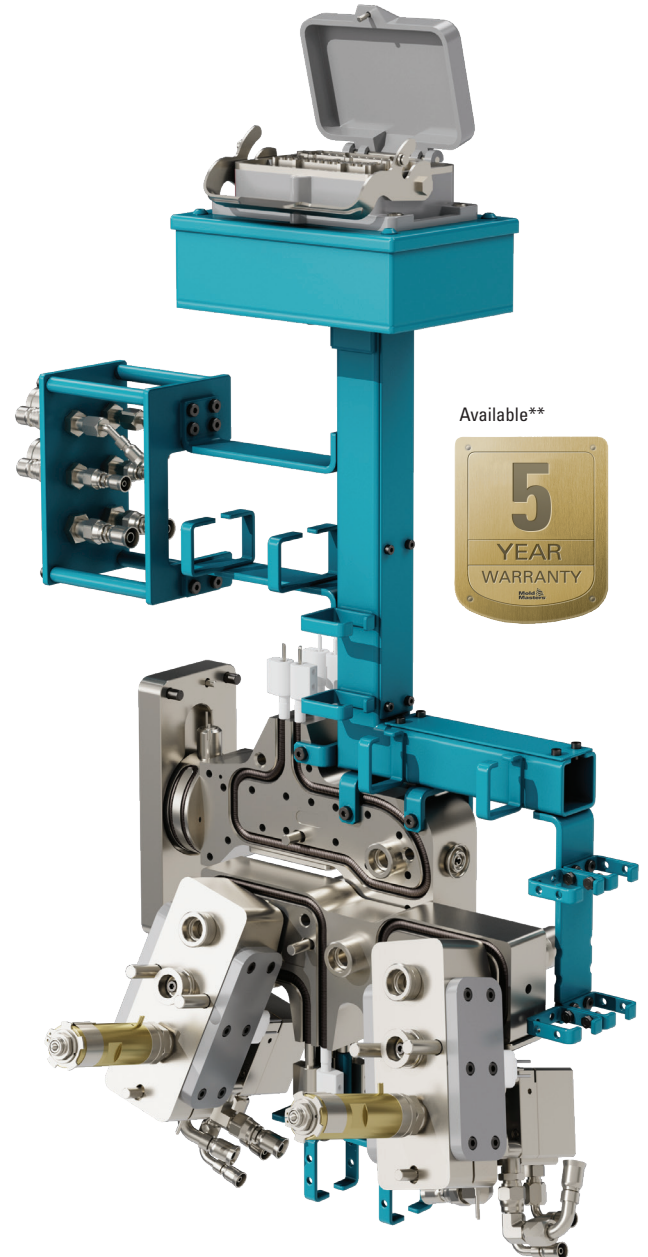
- Unmatched corrosion resistance.
- Helps prevent contamination defects.
- Extends service life.

PROPRIETARY RUNNER FINISH

- Specifically suited for automotive lighting resins.
- Optimizes resin flow.
- Enhances part quality.

FIELD REPLACEABLE COMPONENTS

- Focused on minimizing downtime.
- Nozzle heater sleeves (F-Style).
- Manifold flexible tubular heaters.
- Manifold heater plates.
- Quick release actuators.



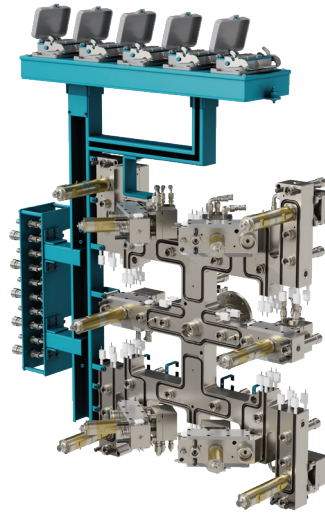
Dura+(F) comes drop-in ready.

DROP-IN READY

- Systems are shipped completely pre-assembled, pre-wired plumbed and tested.
- Fast, one-step installation.
- **NEW** Install can now be done at room temperature.
- Requires up to 70% less time to assemble and install.

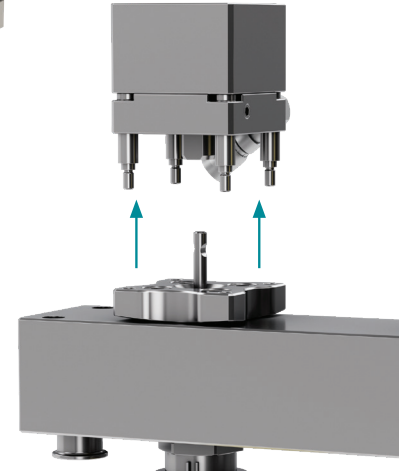
Includes:

Wire Armor, Electrical Boxes, Mounting Plate, Plumbing Interface, Valve Solenoid Mounting, Quick Disconnects.



NEW COMPACT QUICK RELEASE ACTUATORS

- More compact height and cut-out (vs. previous design).
- Quick release design minimizes service downtime.
- Valve pin anti-rotation, height position and stroke adjustment are standard features.
- Position of Air/Hydraulic and Cooling lines can be rotated to improve access when space is limited.



SPECIFICATIONS

NOZZLE RANGE		5000	6000	7000	8000
Runner Size (mm)	Non-valved	8	12	18	22
	Valved	12	16	22	26/28
Front Bore Cut-Out Ø (mm)		36	46	53	72
Nozzle Length Range (mm)		80 - 500	80 - 800	80 - 1,000	80 - 1,000

SYSTEM OPTIONS

- Compound Nozzles
- Brazed Nozzles
- Waterless Actuators
- SeVG+ Electric Actuators



TempMaster™ series

To ensure your mold operates at peak performance and delivers ultimate process control, Mold-Masters recommends using TempMaster controllers with all Mold-Masters hot runner systems. Unlock your operations full potential with TempMaster.